

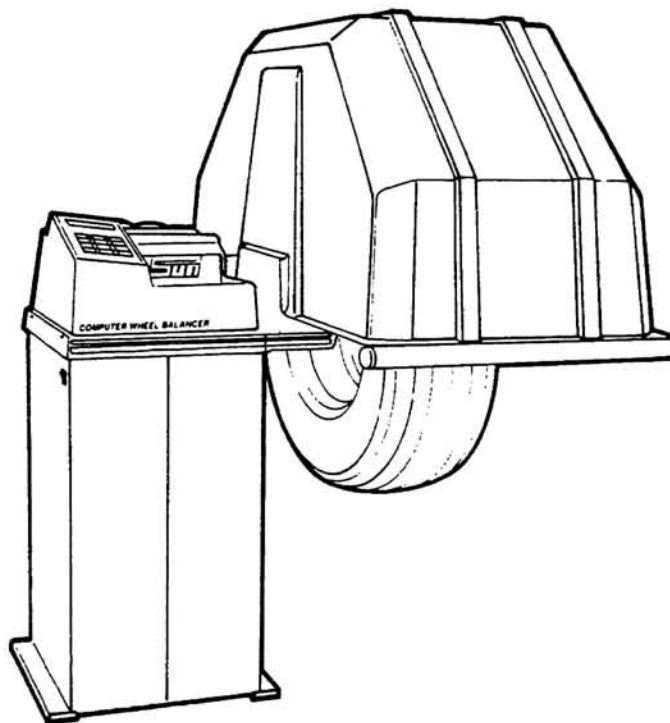


SUN ELECTRIC®

MODEL

CWB-1810

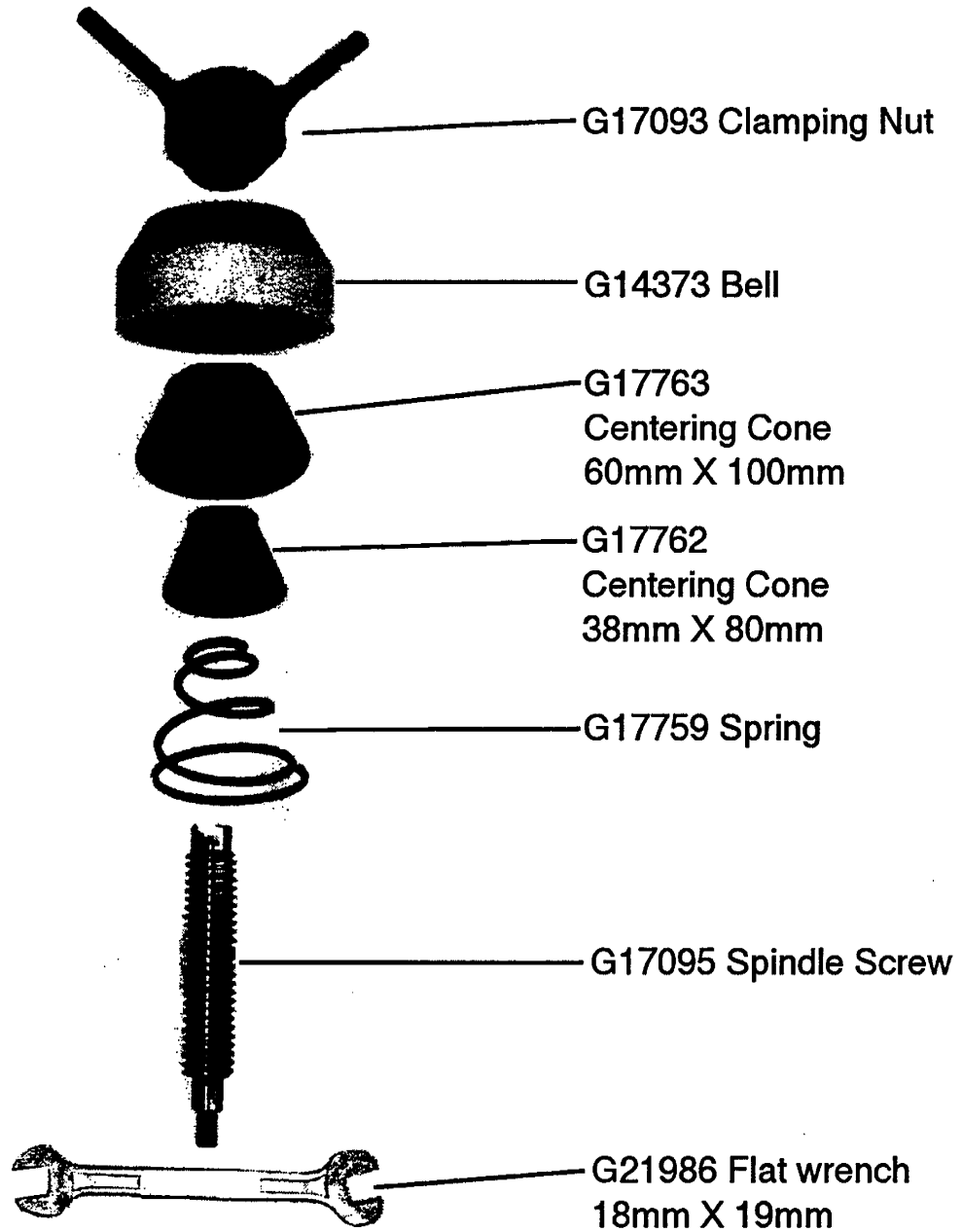
Parts Reference Manual



May, 1993

MAIN COMPONENT PARTS AND UNITS

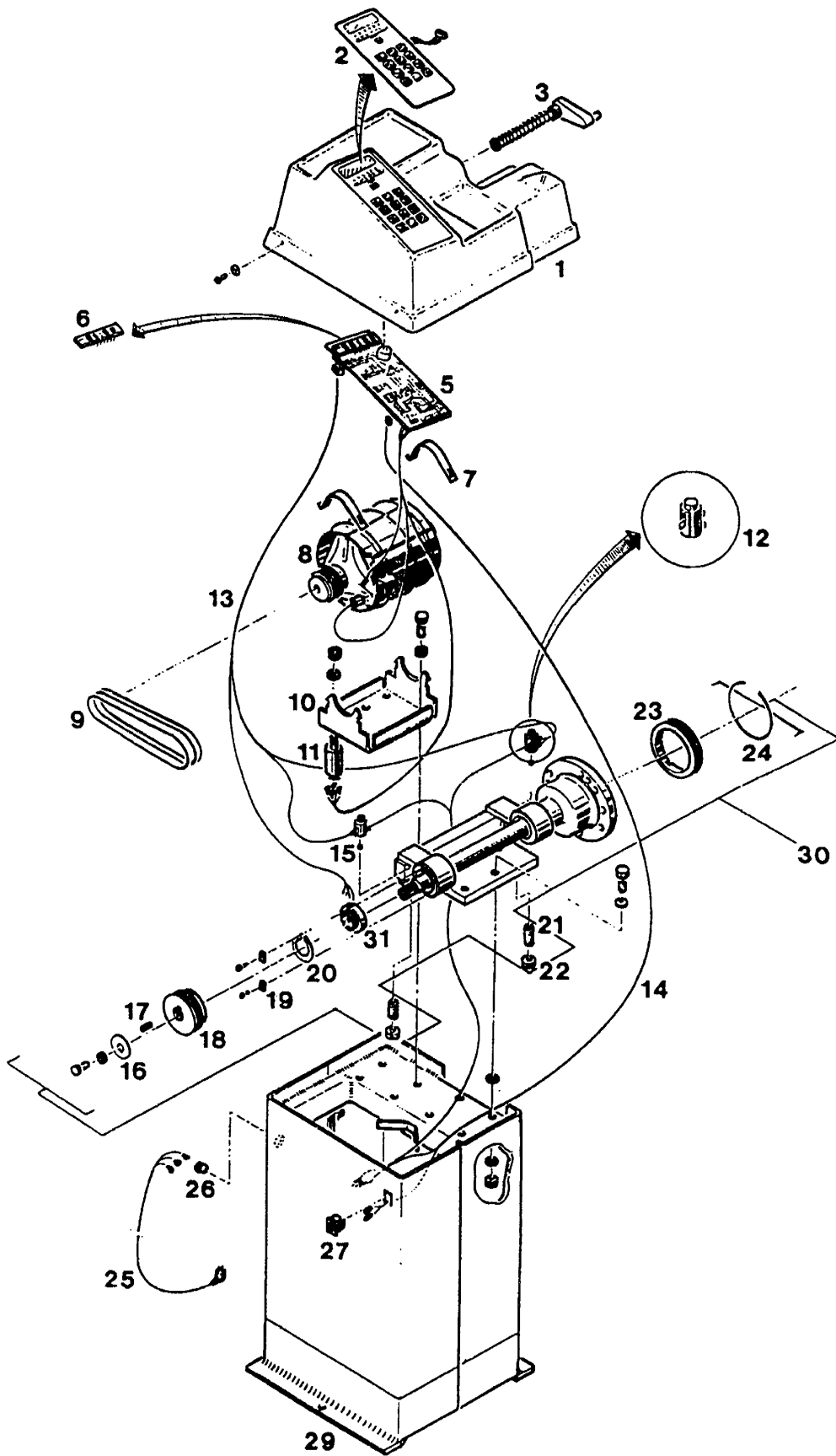
ACCESSORIES



| ITEM | PART NUMBER | DESCRIPTION |
|------|-------------|---------------------------------------|
| 1 | G18209 | Plastic cover |
| 2 | G19586 | Keyboard |
| 3 | G18376 | Offset Gauge assembly |
| 5 | G18112-1 | Main PCB with display |
| 6* | G16894 | LCD display |
| 7* | G22221 | Motor locking clamp order 2 |
| 8 | G18983 | Motor and Pulley |
| 9 | G22269 | Belt set of 3 |
| 10* | G18105 | Motor Support |
| 11 | G33228 | Condenser, motor start |
| 12* | G19439 | Piezo pickup |
| 13 | G18383 | Piezo pickup with cable assembly |
| 14* | G18403 | Cable beam between PCB |
| 15 | G20029 | Steel ball order 2 |
| 16* | G15836 | Pulley lock washer |
| 17 | G15837 | Taper key |
| 18 | G18984 | Pulley, main shaft |
| 19* | G18425 | Optical encoding unit retainer clip |
| 20* | G22270 | Optical encoding unit main shaft clip |
| 21* | G16886 | Piezo supporting screw |
| 22* | G12281 | Nut, piezo supporting |
| 23* | G13644 | Nose disk |
| 24* | G13605 | Axle for nose |
| 25 | G18402 | AC cable |
| 26* | G33212 | Cable clamp |
| 27 | G32441 | Main power switch |
| 28 | | not shown |
| 29 | G18151 | Base weld assembly |
| 30* | G18995VD | Head assembly |
| 31 | G18690 | Optical encoder unit |

* indicates this part is not normally stocked by SUN and would have to be special ordered from France.

Refer to drawing on page 5-3 for location.



HOOD COMPONENTS

| ITEM | PART NUMBER | DESCRIPTION |
|------|-------------|------------------------|
| 1* | G18358 | Wheel hood |
| 2* | | not used |
| 3* | G19175 | Tubular frame |
| 4* | G21683 | Plastic end cap |
| 5* | G18361 | Hood mount bracket |
| 6* | G19177 | Hood frame Axle |
| 7* | G18363 | Half bearing |
| 8* | G18520 | Mercury Switch support |
| 9* | G18341-1 | PCB switch mount |
| 10* | G33209 | Mercury Switch |
| 11* | G19297 | Cable safety switch |
| 12* | G33408 | Terminal |
| 13* | G33409 | Flange |

* indicates this part is not normally stocked by SUN and would have to be special ordered from France.

